

GROVE

E.-ANLAGE FAHRGESTELL
ELECTR. CONSTRUCTION, CHASSIS

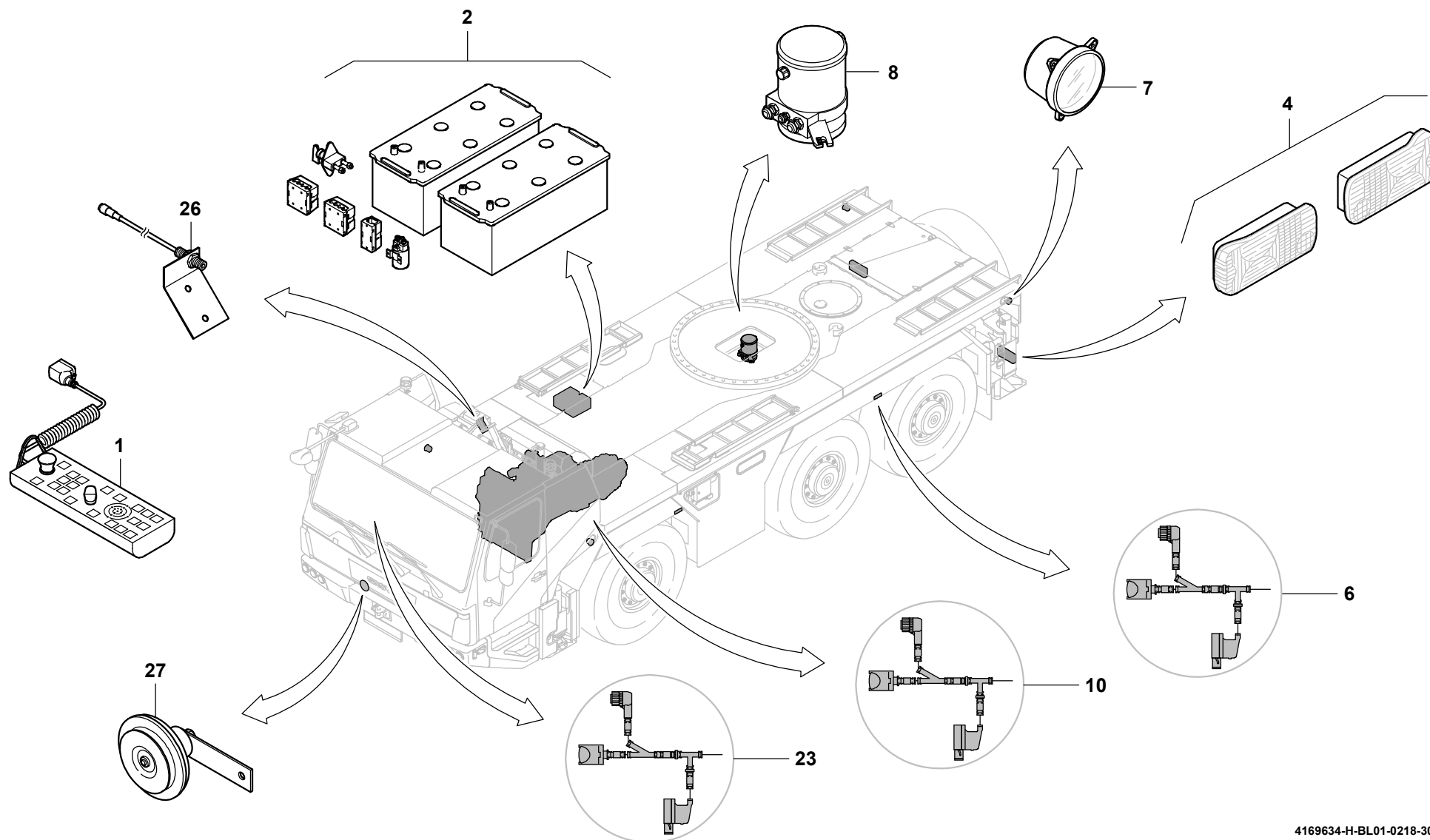
BILDTADEL
PICTORIAL DISPLAY

GMK3060

02.18

4169634-ETL H

1/4

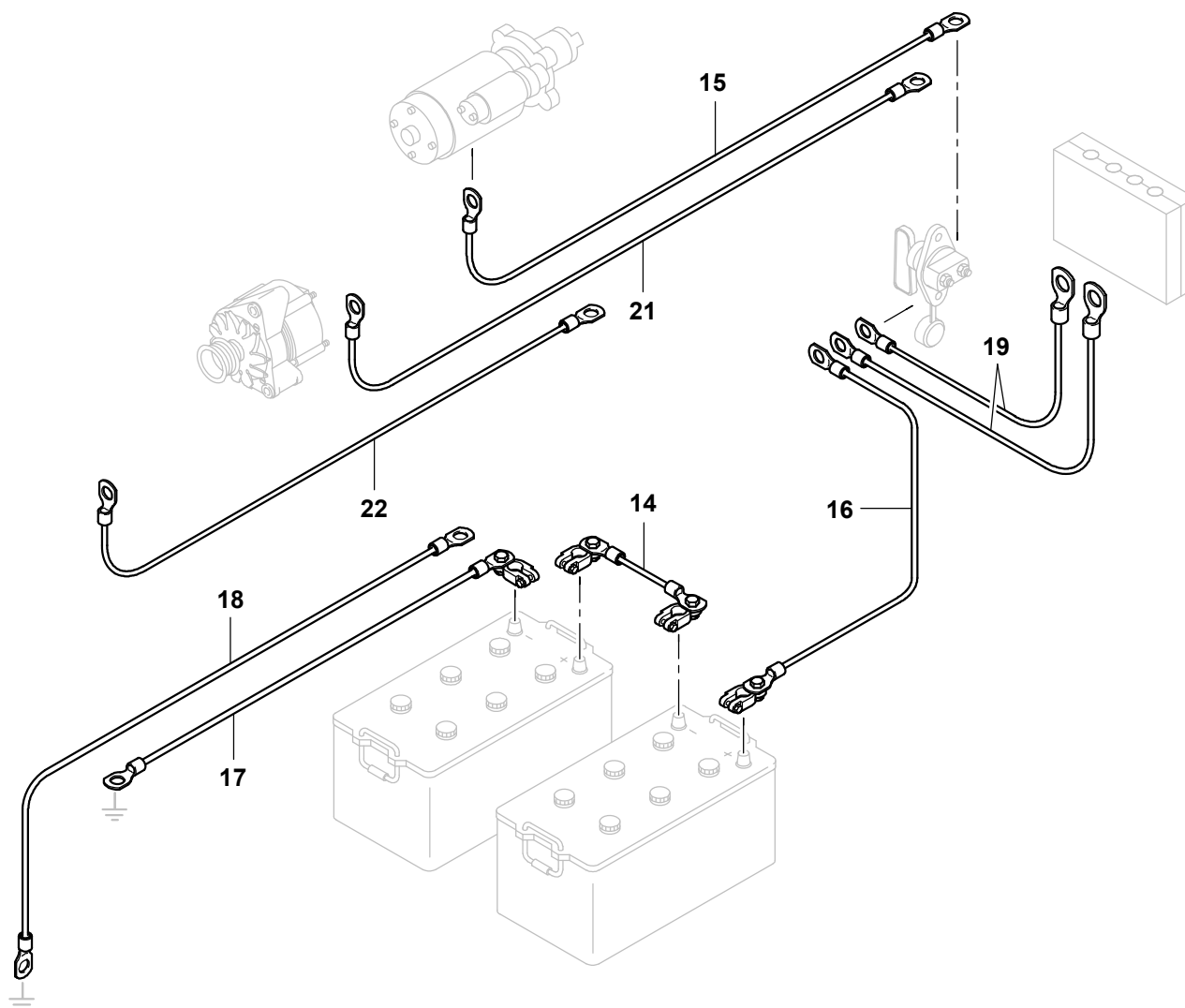


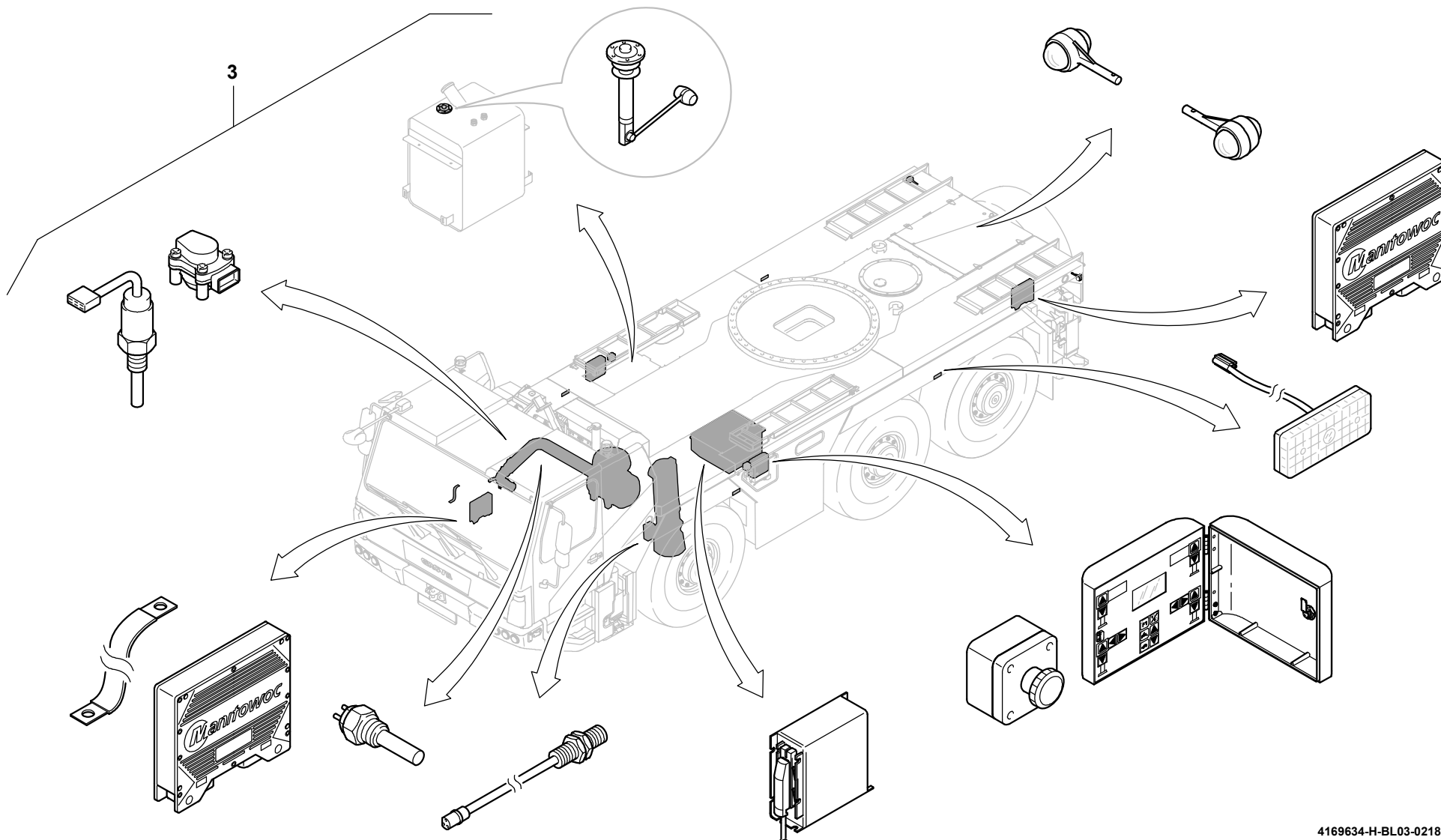
GROVEE.-ANLAGE FAHRGESTELL
ELECTR. CONSTRUCTION, CHASSISBILDТАFEL
PICTORIAL DISPLAY**GMK3060**

02.18

4169634-ETL H

2/4





GROVEE.-ANLAGE FAHRGESTELL
ELECTR. CONSTRUCTION, CHASSISBILDТАFЕL
PICTORIAL DISPLAY**GMK3060**

02.18

4169634-ETL H

4/4

